

What Are The Performance And Characteristics Of The Principle Machine Of The Nutritional Powder Production Line?

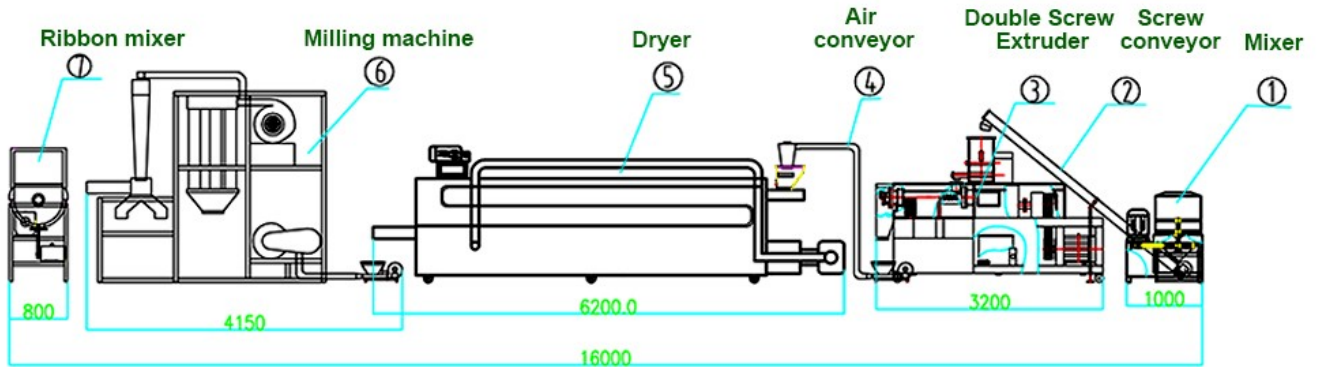
The nutritional powder production line is fully automated from batching, extrusion, puffing, molding to finished product at one time. The automatic nutrition powder making production line has the characteristics of multiple models, flexible equipment configuration, wide range of raw materials, multiple product types, and simple operation.

The nutritional powder production line is fully automated from batching, extrusion, puffing, molding to finished product at one time. The automatic nutrition powder making production line has the characteristics of multiple models, flexible equipment configuration, wide range of raw materials, multiple product types, and simple operation. Choosing the right configuration can produce sandwich cakes, sandwich rolls, puffed rice crackers, barley, rice crackers, nutritious breakfast, modified starch and other products. Suitable for all kinds of food manufacturers.



High-quality products are the foundation of enterprise development. We are strictly controlling the quality at the same time. Each component of the product is selected from outstanding domestic companies. Designated brand components can also be used according to customer

requirements. Only continuous improvement of product quality. In order to meet the requirements of customers, the company can also develop. In order to better understand the relevant knowledge, the following will share with you the main features and performance of the puffed nutritional powder making machine:



1	Excellent quality	The product can be edible after brewing in boiling water for 4 minutes, no soup, good taste.
2	Low consumption and energy saving	Only soak for 3 minutes.
3	High-efficiency and automatic	Automatic automation and large output.
4	Wide adaptability	At the same time, it is suitable for producing instant sweet potato flour, instant corn flour, instant mung bean flour, etc.

